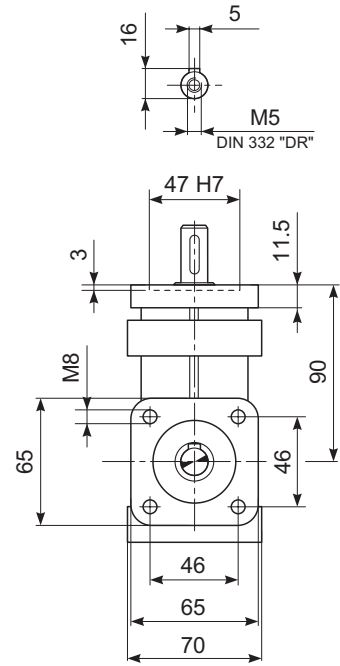
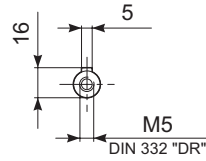
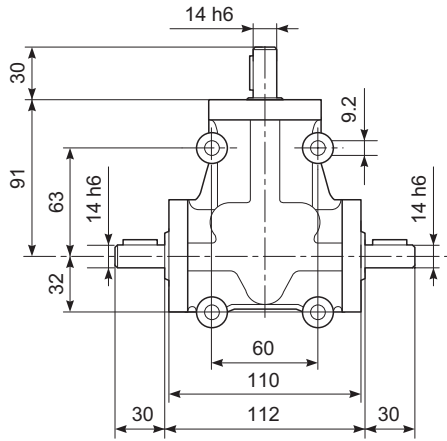
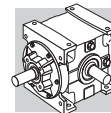


RAN 18.14



 Kg	1.8
--	-----



$n_1 = 1400 \text{ min}^{-1}$						
	i	n_2 [min^{-1}]	Mn_2 [Nm]	Pn_1 [kW]	Rn_1 [N]	Rn_2 [N]
RAN 8	1	1400	2.5	0.38	80	210
	2	700	2.0	0.15	80	260
RAN 15	1	1400	7.4	1.1	250	370
	2	700	6.0	0.45	250	470
RAN 18.14	1	1400	15.0	2.3	320	450
	2	700	12.0	0.90	320	580
RAN 20 RAN 20CAVO	1	1400	28	4.2	400	540 280
RAN 20	2	700	20	1.5	400	690
RAN 25	1	1400	39	5.9	800	820
	2	700	34	2.6	800	1030
RAN 24	1	1400	80	12.0	1110	1300
	2	700	80	6.0	1110	1640
	3	460	80	4.0	1110	1900
RAN 28	1	1400	150	23	1800	1650
	2	700	150	11.3	1800	2080
	4	350	150	5.6	1800	2700
	7.7	180	100	1.9	1800	3200
RAN 38	1	1400	300	45	2700	2500
	2	700	300	23	2700	3150
	4	350	300	11.3	2700	4000
	7.7	180	200	3.9	2700	4800
RAN 48	1	1400	600	90	3300	3700
	2	700	600	45	3300	4660
	4	350	550	21	3300	6000
	7.7	180	380	7.3	3300	7100



Le prestazioni si riferiscono a velocità di azionamento non superiori a $n_1 = 100 \text{ min}^{-1}$.



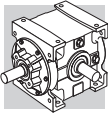
Ratings refer to drive speed not exceeding $n_1 = 100 \text{ min}^{-1}$.



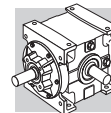
Die Leistungen beziehen sich auf die nicht übersteigende Antriebsgeschwindigkeit $n_1 = 100 \text{ min}^{-1}$.



Les prestations se réfèrent à des vitesses d'actionnement inférieures à $n_1 = 100 \text{ min}^{-1}$.



$n_1 = 900 \text{ min}^{-1}$						
	i	n_2 [min^{-1}]	Mn_2 [Nm]	Pn_1 [kW]	Rn_1 [N]	Rn_2 [N]
RAN 8	1	900	2.6	0.25	90	240
	2	450	2.1	0.10	90	290
RAN 15	1	900	10.0	0.97	290	430
	2	450	7.8	0.38	290	530
RAN 18.14	1	900	18.0	1.7	370	530
	2	450	15.0	0.72	370	650
RAN 20 RAN 20CAVO	1	900	31	3.0	460	630 320
RAN 20	2	450	22	1.1	460	770
RAN 25	1	900	49	4.7	930	950
	2	450	39	1.9	930	1200
RAN 24	1	900	100	9.7	1270	1510
	2	450	100	4.8	1270	1900
	3	300	100	3.2	1270	2170
RAN 28	1	900	170	16.4	2100	1910
	2	450	170	8.2	2100	2400
	4	225	170	4.1	2100	3000
	7.7	120	110	1.4	2100	3800
RAN 38	1	900	340	33	3130	2900
	2	450	340	16.4	3130	3600
	4	225	340	8.2	3130	4600
	7.7	120	210	2.7	3130	5500
RAN 48	1	900	650	63	3820	4290
	2	450	650	31	3820	5300
	4	225	600	14.5	3820	6800
	7.7	120	400	5.2	3820	8500



$n_1 = 500 \text{ min}^{-1}$						
	i	n_2 [min^{-1}]	Mn_2 [Nm]	Pn_1 [kW]	Rn_1 [N]	Rn_2 [N]
RAN 8	1	500	2.8	0.15	110	290
	2	250	2.2	0.06	110	370
RAN 15	1	500	13.0	0.70	360	530
	2	250	10.0	0.27	360	670
RAN 18.14	1	500	22	1.2	460	650
	2	250	18.0	0.48	460	820
RAN 20 RAN 20CAVO	1	500	37	2.0	560	770 390
RAN 20	2	250	25	0.67	560	980
RAN 25	1	500	54	2.9	1130	1150
	2	250	44	1.2	1130	1460
RAN 24	1	500	120	6.4	1540	1830
	2	250	120	3.2	1540	2330
	3	120	120	1.5	1540	3000
RAN 28	1	500	190	10.2	2550	2330
	2	250	190	5.1	2550	3000
	4	125	190	2.6	2550	3800
	7.7	65	120	0.84	2550	4000
RAN 38	1	500	380	20	3800	3520
	2	250	380	10.2	3800	4500
	4	125	380	5.1	3800	5700
	7.7	65	220	1.5	3800	6000
RAN 48	1	500	700	38	4640	5200
	2	250	700	18.8	4640	6600
	4	125	700	9.4	4640	8500
	7.7	65	440	3.1	4640	9000