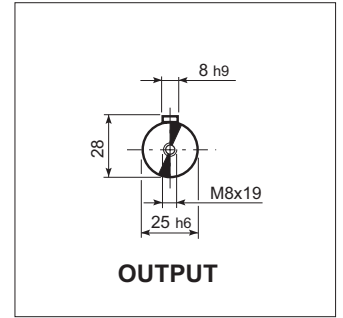
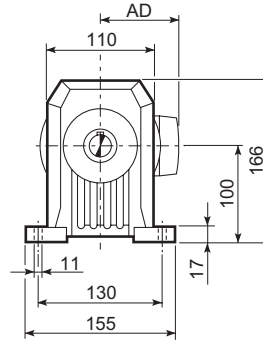
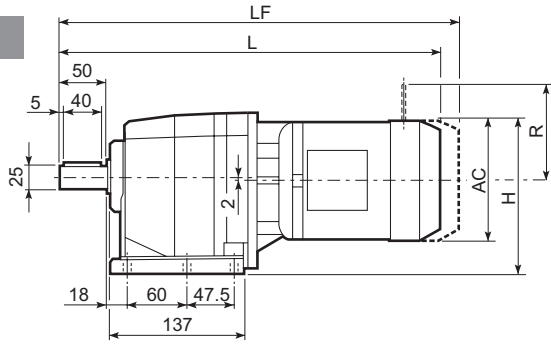
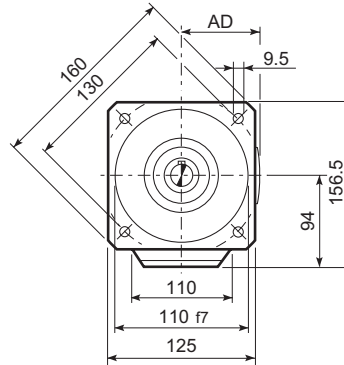
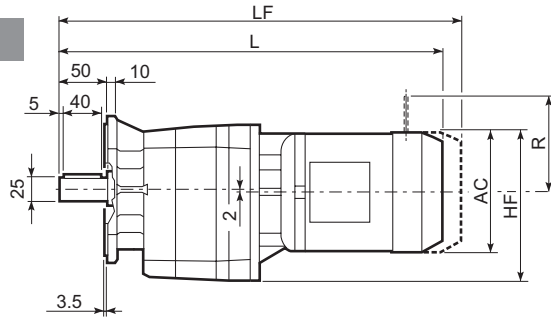


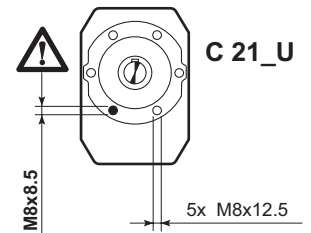
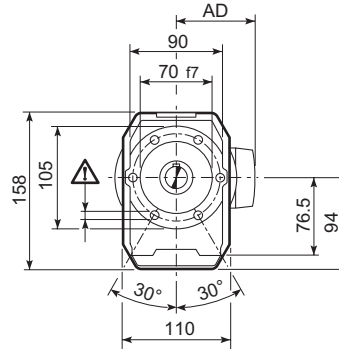
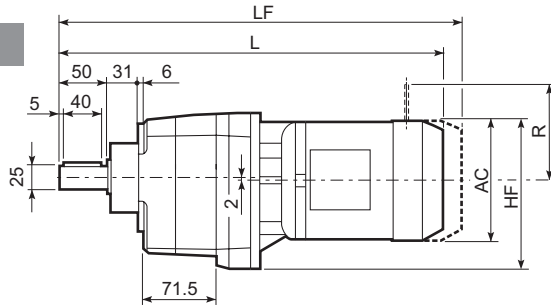
P



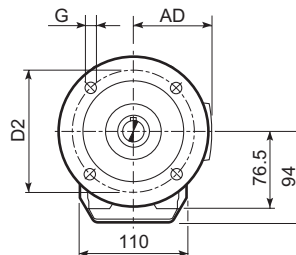
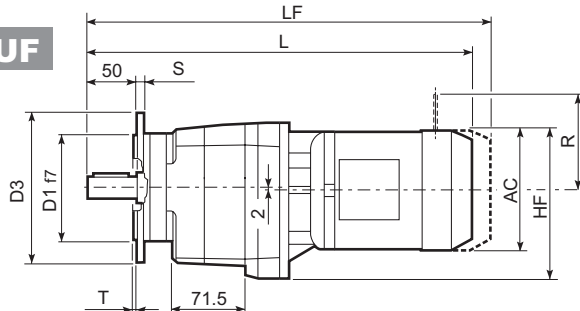
F



U



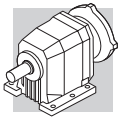
UF



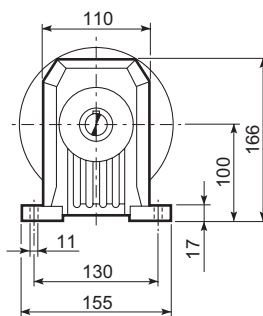
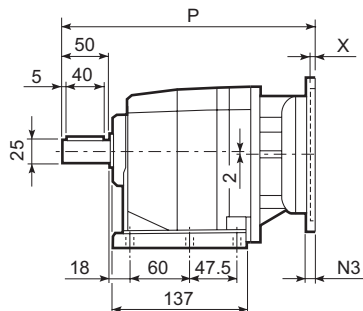
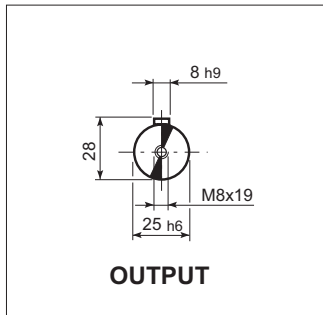
C 21_U						
	D1	D2	D3	G	T	S
FA	95	115	140	9	3	10
FB	110	130	160	9	3	10
FC	130	165	200	11	3.5	11

C 21

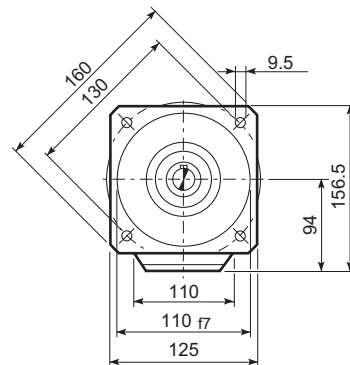
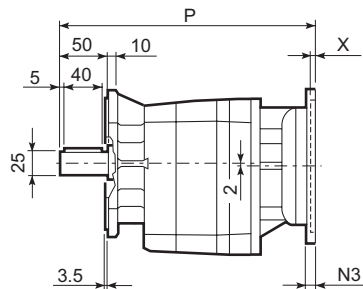
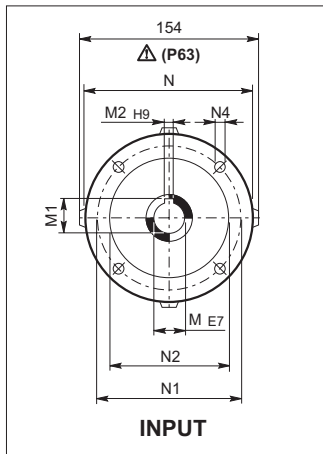
			C 21						M...FD M...FA		M...FD		M...FA	
			AC	H	HF	L	AD		LF		R	AD	R	AD
C 21 2	S1	M1	138	169	163	428	108	11	489	14	103	135	124	108
C 21 2	S2	M2S	156	178	170	456	119	16	527	19	129	146	134	119
C 21 2	S2	ME2S	156	178	170	456	119	16	—	—	—	—	—	—
C 21 2	S3	ME3S	195	197.5	191.5	500	142	22.5	—	—	—	—	—	—
C 21 2	S3	ME3L	195	197.5	191.5	532	142	27	—	—	—	—	—	—
C 21 3	S05	M05	121	160.5	154.5	454.5	95	11	520.5	12	96	122	116	95
C 21 3	S1	M1	138	169	163	483.5	108	13	544.5	15	103	135	124	108



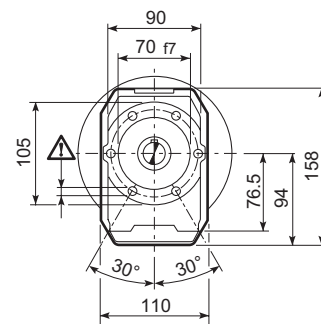
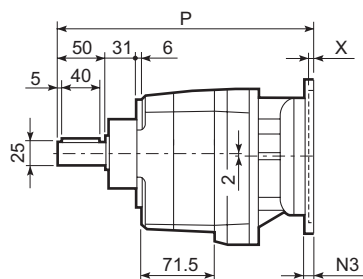
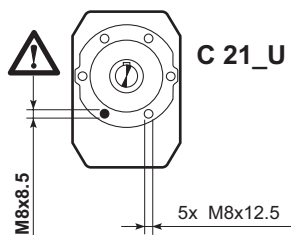
C 21...P(IEC)



P

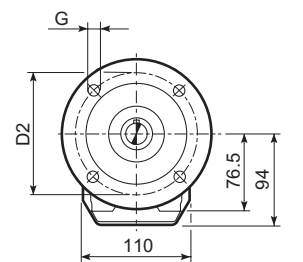
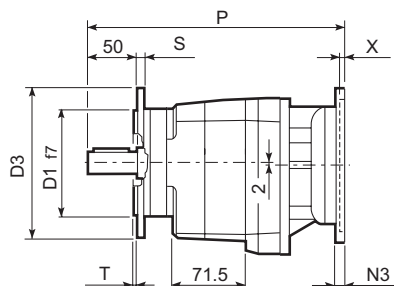


F



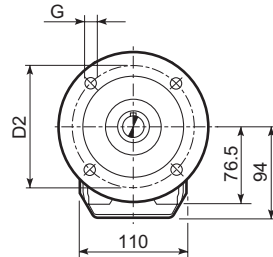
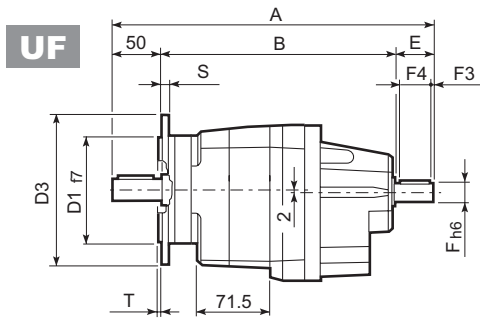
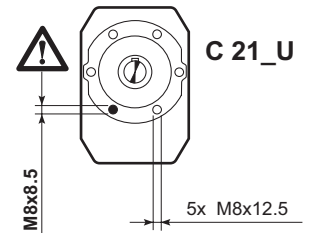
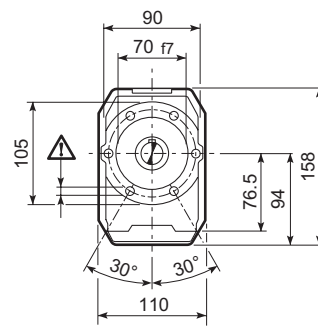
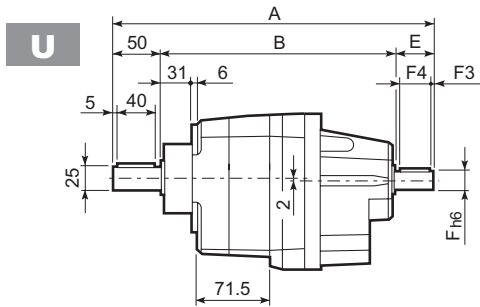
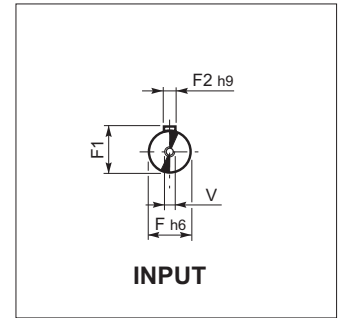
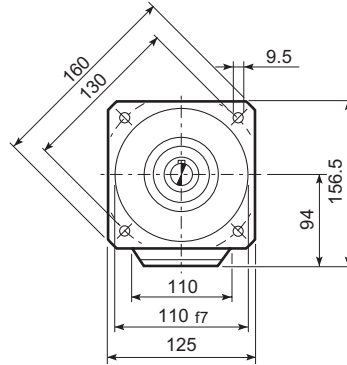
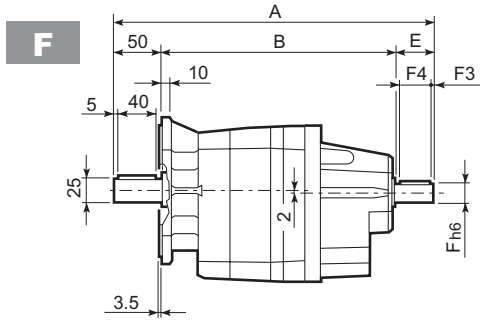
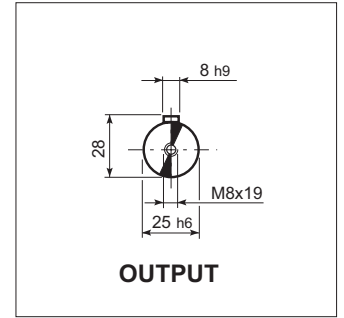
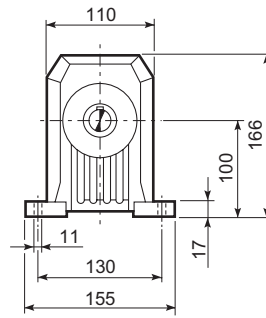
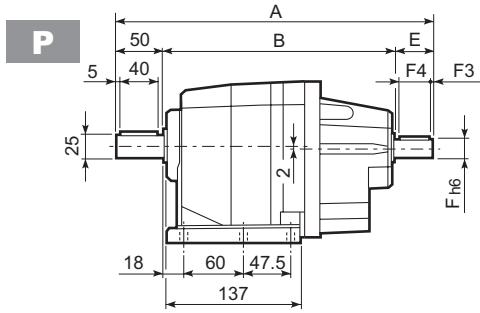
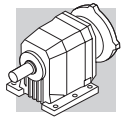
U

C 21_U						
	D1	D2	D3	G	T	S
FA	95	115	140	9	3	10
FB	110	130	160	9	3	10
FC	130	165	200	11	3.5	11



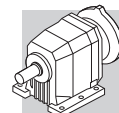
UF

C 21												
		M	M1	M2	N	N1	N2	N3	N4	X	P	kg
C 21 2	P63	11	12.8	4	140	115	95	—	M8x19	4	273	7
C 21 2	P71	14	16.3	5	160	130	110	—	M8x16	4.5	273	7
C 21 2	P80	19	21.8	6	200	165	130	—	M10x12	4	292.5	8
C 21 2	P90	24	27.3	8	200	165	130	—	M10x12	4	292.5	8
C 21 2	P100	28	31.3	8	250	215	180	—	M12x16	4.5	302.5	12
C 21 2	P112	28	31.3	8	250	215	180	—	M12x16	4.5	302.5	12
C 21 3	P63	11	12.8	4	140	115	95	—	M8x19	4	328.5	8
C 21 3	P71	14	16.3	5	160	130	110	—	M8x16	4.5	328.5	8
C 21 3	P80	19	21.8	6	200	165	130	—	M10x12	4	348	9
C 21 3	P90	24	27.3	8	200	165	130	—	M10x12	4	348	9
C 21 3	P100	28	31.3	8	250	215	180	—	M12x16	4.5	358	13
C 21 3	P112	28	31.3	8	250	215	180	—	M12x16	4.5	358	13



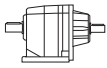

C 21_U						
	D1	D2	D3	G	T	S
FA	95	115	140	9	3	10
FB	110	130	160	9	3	10
FC	130	165	200	11	3.5	11

C 21											
		A	B	E	F	F1	F2	F3	F4	V	kg
	HS	323	233	40	19	21.5	6	2.5	35	M6x16	7.2
C 21 3		335.5	245.5	40	16	18	6	2.5	36	M6x16	7.5

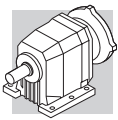


C 21

200 Nm

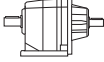
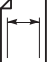
	i	n ₁ = 2800 min ⁻¹					n ₁ = 1400 min ⁻¹					
		n ₂ min ⁻¹	M _{n2} Nm	P _{n1} kW	R _{n1} N	R _{n2} N	n ₂ min ⁻¹	M _{n2} Nm	P _{n1} kW	R _{n1} N	R _{n2} N	
C 21 2_2.7	2.7	1029	65	7.4	—	1150	515	80	4.5	—	1460	117
C 21 2_3.7	3.7	755	70	5.8	—	1290	377	90	3.7	—	1610	
C 21 2_4.8	4.8	587	80	5.2	—	1370	294	100	3.2	—	1730	
C 21 2_6.1	6.1	460	85	4.3	—	1500	230	105	2.7	—	1900	
C 21 2_6.4	6.4	439	100	4.8	960	1510	219	125	3.0	1230	1910	
C 21 2_7.1	7.1	395	105	4.6	1090	1570	198	130	2.8	1420	1990	
C 21 2_8.7	8.7	323	110	3.9	1030	1680	161	140	2.5	1260	2110	
C 21 2_9.6	9.6	290	115	3.7	1160	1750	145	145	2.3	1460	2200	
C 21 2_11.2	11.2	251	125	3.5	930	1790	125	155	2.1	1220	2280	
C 21 2_12.4	12.4	226	125	3.1	1160	1900	113	160	2.0	1420	2380	
C 21 2_14.3	14.3	196	135	2.9	870	1950	98	170	1.8	1100	2460	
C 21 2_15.8	15.8	177	140	2.7	1030	2030	88	175	1.7	1320	2570	
C 21 2_18.0	18.0	155	145	2.5	840	2120	78	185	1.6	1010	2650	
C 21 2_20.0	20.0	140	150	2.3	1000	2210	70	190	1.5	1250	2770	
C 21 2_21.9	21.9	128	155	2.2	800	2250	64	200	1.4	940	2810	
C 21 2_24.3	24.3	115	160	2.0	980	2350	58	200	1.3	1250	2970	
C 21 2_26.7	26.7	105	170	2.0	660	2380	52	200	1.2	1040	3090	
C 21 2_29.6	29.6	95	175	1.8	850	2490	47	200	1.0	1350	3270	
C 21 2_33.1	33.1	85	180	1.7	550	2570	42	200	0.93	1100	3420	
C 21 2_36.8	36.8	76	185	1.6	750	2690	38	200	0.84	1400	3610	
C 21 2_39.0	39.0	72	165	1.3	860	2880	36	170	0.67	1630	3880	
C 21 2_43.3	43.3	65	185	1.3	830	2910	32	190	0.68	1610	3950	
C 21 2_49.3	49.3	57	135	0.85	1320	3410	28.4	140	0.44	1770	4490	
C 21 2_54.7	54.7	51	150	0.85	1320	3470	25.6	155	0.44	1770	4600	
C 21 2_57.0	57.0	49	110	0.60	1410	3780	24.6	115	0.31	1830	4920	
C 21 2_63.3	63.3	44	125	0.61	1400	3860	22.1	130	0.32	1820	5000	
C 21 3_58.8	58.8	48	180	0.96	880	3390	23.8	190	0.24	1240	4510	
C 21 3_65.3	65.3	43	200	0.97	880	3440	21.4	200	0.48	1270	4670	
C 21 3_74.4	74.4	38	200	0.85	960	3630	18.8	200	0.42	1300	4920	
C 21 3_82.6	82.6	34	200	0.76	1010	3820	16.9	200	0.38	1300	5000	
C 21 3_90.2	90.2	31	200	0.70	1050	3960	15.5	200	0.35	1300	5000	
C 21 3_100.2	100.2	28.0	200	0.63	1090	4160	14.0	200	0.31	1300	5000	
C 21 3_110.0	110.0	25.5	200	0.57	1130	4320	12.7	200	0.29	1300	5000	
C 21 3_122.2	122.2	22.9	200	0.52	1160	4540	11.5	200	0.26	1300	5000	
C 21 3_136.5	136.5	20.5	200	0.46	1190	4740	10.3	200	0.23	1300	5000	
C 21 3_151.7	151.7	18.5	200	0.42	1220	4980	9.2	200	0.21	1300	5000	
C 21 3_160.7	160.7	17.4	195	0.38	1240	5000	8.7	200	0.20	1300	5000	
C 21 3_178.5	178.5	15.7	200	0.35	1260	5000	7.8	200	0.18	1300	5000	
C 21 3_203.2	203.2	13.8	160	0.25	1300	5000	6.9	165	0.13	1300	5000	
C 21 3_225.8	225.8	12.4	180	0.25	1300	5000	6.2	185	0.13	1300	5000	
C 21 3_235.0	235.0	11.9	130	0.17	1300	5000	6.0	140	0.09	1300	5000	
C 21 3_261.0	261.0	10.7	145	0.18	1300	5000	5.4	155	0.09	1300	5000	

(—) Interpellare il ns. servizio tecnico comunicando i dati relativi al carico radiale (senso di rotazione, orientamento, posizione)
 (—) Contact our technical service department advising radial load data (rotation direction, orientation, position)
 (—) Nehmen Sie bitte Kontakt mit unserem Applikationsdienst und Querkraftsdaten angeben (Drehrichtung, Orientierung, Anordnung)
 (—) Consulter notre service technique en donnant les dÉtails concernant la charge radiale (sens de rotation, indexage, position)

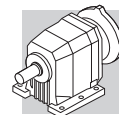


C 21

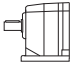
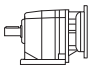
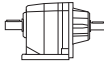
200 Nm

	i	n ₁ = 900 min ⁻¹					n ₁ = 500 min ⁻¹					
		n ₂ min ⁻¹	M _{n2} Nm	P _{n1} kW	R _{n1} N	R _{n2} N	n ₂ min ⁻¹	M _{n2} Nm	P _{n1} kW	R _{n1} N	R _{n2} N	
C 21 2_2.7	2.7	331	95	3.5	—	1670	184	100	2.0	400	2150	117
C 21 2_3.7	3.7	243	105	2.8	—	1850	135	105	1.6	800	2430	
C 21 2_4.8	4.8	189	105	2.2	170	2090	105	105	1.2	1200	2710	
C 21 2_6.1	6.1	148	110	1.8	200	2290	82	116	1.0	980	2930	
C 21 2_6.4	6.4	141	145	2.3	1420	2220	78	175	1.5	1760	2700	
C 21 2_7.1	7.1	127	150	2.1	1650	2310	71	180	1.4	2060	2820	
C 21 2_8.7	8.7	104	165	1.9	1410	2430	58	200	1.3	1730	2960	
C 21 2_9.6	9.6	93	170	1.7	1650	2530	52	200	1.1	2130	3130	
C 21 2_11.2	11.2	81	180	1.6	1400	2640	45	200	0.99	2060	3330	
C 21 2_12.4	12.4	73	185	1.5	1650	2760	40	200	0.89	2200	3520	
C 21 2_14.3	14.3	63	195	1.4	1310	2860	35	200	0.77	2200	3730	
C 21 2_15.8	15.8	57	200	1.3	1580	2990	32	200	0.70	2200	3920	
C 21 2_18.0	18.0	50	200	1.1	1420	3170	27.7	200	0.61	2200	4140	
C 21 2_20.0	20.0	45	200	0.99	1750	3340	25.0	200	0.55	2200	4350	
C 21 2_21.9	21.9	41	200	0.91	1590	3460	22.9	200	0.50	2200	4500	
C 21 2_24.3	24.3	37	200	0.82	1900	3650	20.6	200	0.45	2200	4720	
C 21 2_26.7	26.7	34	200	0.74	1700	3790	18.7	200	0.41	2200	4900	
C 21 2_29.6	29.6	30	200	0.67	1980	3990	16.9	200	0.37	2200	5000	
C 21 2_33.1	33.1	27.2	200	0.60	1750	4170	15.1	200	0.33	2200	5000	
C 21 2_36.8	36.8	24.5	200	0.54	1990	4390	13.6	200	0.30	2200	5000	
C 21 2_39.0	39.0	23.1	170	0.43	2020	4680	12.8	170	0.24	2200	5000	
C 21 2_43.3	43.3	20.8	190	0.44	2020	4770	11.6	190	0.24	2200	5000	
C 21 2_49.3	49.3	18.3	145	0.29	2080	5000	10.1	155	0.17	2200	5000	
C 21 2_54.7	54.7	16.4	160	0.29	2090	5000	9.1	170	0.17	2200	5000	
C 21 2_57.0	57.0	15.8	120	0.21	2140	5000	8.8	125	0.12	2200	5000	
C 21 2_63.3	63.3	14.2	135	0.21	2140	5000	7.9	140	0.12	2200	5000	
C 21 3_58.8	58.8	15.3	200	0.34	1300	5000	8.5	200	0.19	1300	5000	
C 21 3_65.3	65.3	13.8	200	0.31	1300	5000	7.7	200	0.17	1300	5000	
C 21 3_74.4	74.4	12.1	200	0.27	1300	5000	6.7	200	0.15	1300	5000	
C 21 3_82.6	82.6	10.9	200	0.25	1300	5000	6.1	200	0.14	1300	5000	
C 21 3_90.2	90.2	10.0	200	0.22	1300	5000	5.5	200	0.12	1300	5000	
C 21 3_100.2	100.2	9.0	200	0.20	1300	5000	5.0	200	0.11	1300	5000	
C 21 3_110.0	110.0	8.2	200	0.18	1300	5000	4.5	200	0.10	1300	5000	
C 21 3_122.2	122.2	7.4	200	0.17	1300	5000	4.1	200	0.09	1300	5000	
C 21 3_136.5	136.5	6.6	200	0.15	1300	5000	3.7	200	0.08	1300	5000	
C 21 3_151.7	151.7	5.9	200	0.13	1300	5000	3.3	200	0.07	1300	5000	
C 21 3_160.7	160.7	5.6	200	0.13	1300	5000	3.1	200	0.07	1300	5000	
C 21 3_178.5	178.5	5.0	200	0.11	1300	5000	2.8	200	0.06	1300	5000	
C 21 3_203.2	203.2	4.4	170	0.08	1300	5000	2.5	180	0.05	1300	5000	
C 21 3_225.8	225.8	4.0	195	0.09	1300	5000	2.2	200	0.05	1300	5000	
C 21 3_235.0	235.0	3.8	140	0.06	1300	5000	2.1	150	0.04	1300	5000	
C 21 3_261.0	261.0	3.4	160	0.06	1300	5000	1.9	165	0.04	1300	5000	

(—) Interpellare il ns. servizio tecnico comunicando i dati relativi al carico radiale (senso di rotazione, orientamento, posizione)
 (—) Contact our technical service department advising radial load data (rotation direction, orientation, position)
 (—) Nehmen Sie bitte Kontakt mit unserem Applikationsdienst und Querkraftsdaten angeben (Drehrichtung, Orientierung, Anordnung)
 (—) Consulter notre service technique en donnant les dÉtails concernant la charge radiale (sens de rotation, indexage, position)



C 21

	i	J (•10 ⁻⁴) [kgm ²]							
			IEC 						
			63	71	80	90	100	112	
C 21 2_2.7	2.7	1.2	—	—	4.0	4.0	5.3	5.3	3.1
C 21 2_3.7	3.7	0.72	2.2	2.2	3.6	3.5	4.8	4.8	2.6
C 21 2_4.8	4.8	0.48	2.0	1.9	3.3	3.3	4.6	4.6	2.4
C 21 2_6.1	6.1	0.29	1.8	1.7	3.1	3.1	4.4	4.4	2.2
C 21 2_6.4	6.4	0.79	—	—	3.6	3.6	4.9	4.9	2.7
C 21 2_7.1	7.1	0.77	—	—	3.6	3.6	4.8	4.8	2.6
C 21 2_8.7	8.7	0.51	2.0	2.0	3.4	3.3	4.6	4.6	2.4
C 21 2_9.6	9.6	0.50	2.0	2.0	3.3	3.3	4.6	4.6	2.4
C 21 2_11.2	11.2	0.36	1.8	1.8	3.2	3.1	4.4	4.4	2.2
C 21 2_12.4	12.4	0.35	1.8	1.8	3.2	3.1	4.4	4.4	2.2
C 21 2_14.3	14.3	0.21	1.7	1.7	3.1	3.0	4.3	4.3	2.1
C 21 2_15.8	15.8	0.20	1.7	1.7	3.1	3.0	4.3	4.3	2.1
C 21 2_18.0	18.0	0.15	1.6	1.6	3.0	2.9	4.2	4.2	2.0
C 21 2_20.0	20.0	0.15	1.6	1.6	3.0	2.9	4.2	4.2	2.0
C 21 2_21.9	21.9	0.12	1.6	1.6	3.0	2.9	4.2	4.2	2.0
C 21 2_24.3	24.3	0.12	1.6	1.6	3.0	2.9	4.2	4.2	2.0
C 21 2_26.7	26.7	0.09	1.6	1.5	2.9	2.9	4.2	4.2	2.0
C 21 2_29.6	29.6	0.09	1.6	1.5	2.9	2.9	4.2	4.2	2.0
C 21 2_33.1	33.1	0.06	1.5	1.5	2.9	2.8	4.1	4.1	1.9
C 21 2_36.8	36.8	0.06	1.5	1.5	2.9	2.8	4.1	4.1	1.9
C 21 2_39.0	39.0	0.05	1.5	1.5	2.9	2.8	4.1	4.1	1.9
C 21 2_43.3	43.3	0.05	1.5	1.5	2.9	2.8	4.1	4.1	1.9
C 21 2_49.3	49.3	0.03	1.5	1.5	2.9	2.8	4.1	4.1	1.9
C 21 2_54.7	54.7	0.03	1.5	1.5	2.9	2.8	4.1	4.1	1.9
C 21 2_57.0	57.0	0.02	1.5	1.5	—	—	—	—	1.9
C 21 2_63.3	63.3	0.02	1.5	1.5	—	—	—	—	1.9
C 21 3_74.4	74.4	0.03	1.5	1.5	2.9	2.8	4.1	4.1	0.93
C 21 3_82.6	82.6	0.03	1.5	1.5	2.9	2.8	4.1	4.1	0.93
C 21 3_90.2	90.2	0.03	1.5	1.5	2.9	2.8	4.1	4.1	0.93
C 21 3_100.2	100.2	0.03	1.5	1.5	2.9	2.8	4.1	4.1	0.93
C 21 3_110.0	110.0	0.03	1.5	1.5	2.9	2.8	4.1	4.1	0.93
C 21 3_122.2	122.2	0.03	1.5	1.5	2.9	2.8	4.1	4.1	0.93
C 21 3_136.5	136.5	0.02	1.5	1.5	2.9	2.8	4.1	4.1	0.92
C 21 3_151.7	151.7	0.02	1.5	1.5	2.9	2.8	4.1	4.1	0.92
C 21 3_160.7	160.7	0.02	1.5	1.5	2.9	2.8	4.1	4.1	0.92
C 21 3_178.5	178.5	0.02	1.5	1.5	2.9	2.8	4.1	4.1	0.92
C 21 3_203.2	203.2	0.02	1.5	1.5	2.9	2.8	4.1	4.1	0.92
C 21 3_225.8	225.8	0.02	1.5	1.5	2.9	2.8	4.1	4.1	0.92
C 21 3_235.0	235.0	0.02	1.5	1.5	2.9	2.8	4.1	4.1	0.92
C 21 3_261.0	261.0	0.02	1.5	1.5	2.9	2.8	4.1	4.1	0.92